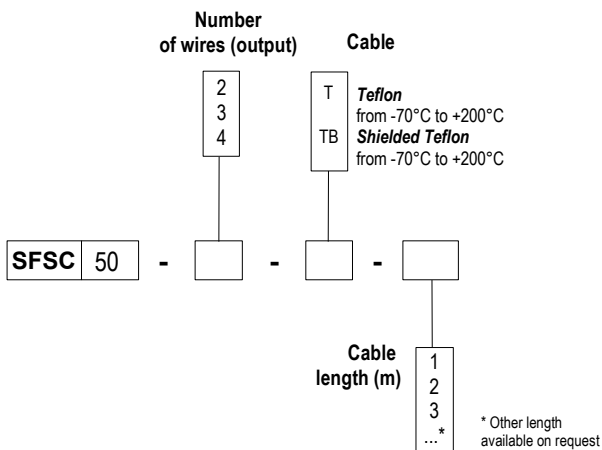


Probe with self adhesive patch

SFSC 50

- Probe with thin and flexible laminar resistance.
- Enables good response times.
- Measuring range : **from -70°C to +200°C**

Part numbers

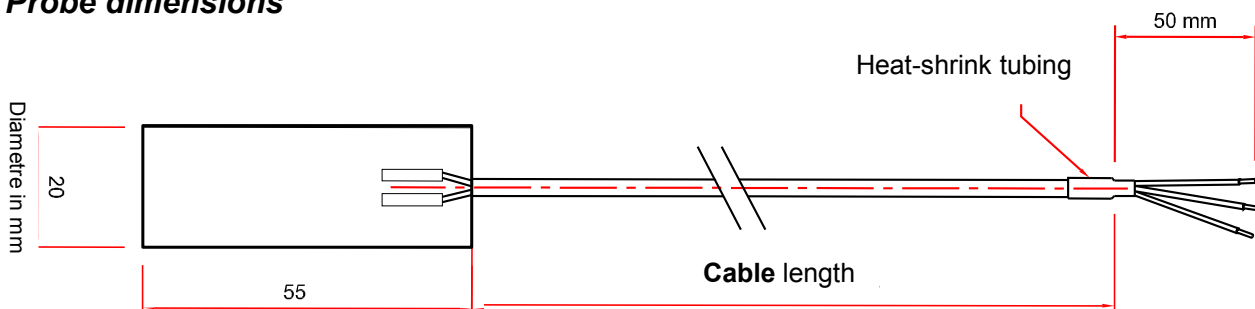


Example : SFSC50-3-T-4
Model : Pt 100 temperature sensor, Class A, 3 wires, Teflon cable of 4 m length. **Measuring range from -70 to +200°C.**

Transmitter features

Operating temperature	from -70°C to +200°C
Accuracy *	± (0.15°C + 0.002 Itl)
	thus ± 0.15°C at 0°C
	and ± 0.35°C at 100°C
Sensor type	PT100 Class A
	Single pair
	as per IEC751
Dimensions	50 x 20 mm and 0.3 mm depth
Insulation	polyimide
Cable	T : Pfa 2 or 3 conductors
	TB : Shielded Pfa 2, 3 or 4 conductors
Storage temperature	from -20°C to +80°C

Probe dimensions



Tolerance of PT100 and PT1000 probes.

Norms as per IEC 751 (1993), BS 1904 (1984) and DIN 43760 (1980).

Temp °C	Tolerances					
	Class B		Class A		1/3 DIN	
	± °C	± Ohms	± °C	± Ohms	± °C	± Ohms
-100	0,8	0,32	0,35	0,14	0,27	0,11
-50	0,55	0,22	0,25	0,1	0,19	0,08
0	0,3	0,12	0,15	0,06	0,1	0,04
100	0,8	0,3	0,35	0,13	0,27	0,1
200	1,3	0,48	0,55	0,2	0,44	0,16
300	1,8	0,64	0,75	0,27	0,6	0,21
400	2,3	0,79	0,95	0,33	0,77	0,26

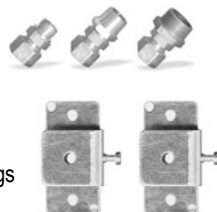
Resistance values for PT1000 (Ω) must be multiplied by 10 for the same corresponding temperature value (°C). I.e : at 0°C for Class B PT1000 ± 0.3°C → ± 1.2 Ω

Tolerances of NTC probes

Measuring range °C	Tolerances °C
from -20°C to 0°C	± 0.5°C
from 0°C to +70°C	± 0.2 °C
from +70°C to +100°C	± 0.5 °C

Accessories (see data sheet)

- Transmitter output 4/20 mA or 0/10V
- Wall mounting support
- Stainless steel mounting brackets
- ¼" or ½" Gas screw nut
- Stainless steel compression fitting
- Teflon or stainless steel ferrule for compression fittings



- Sleeve to weld for food industry
- Stainless steel junction fitting
- ½" Gas or NPT thread cuff
- Thermo-conducting silicone grease
- Calibration certificate
- Thermowell



Colle silicone transparente

For watertightness and sticking.
Ready to use. Moisture cured.
Flexible at high and low temperature.
UV and time resistant.
Tube of 90 ml.

- Part number : KI - TCS



www.kimo.fr

Distributed by :

EXPORT DEPARTMENT

Tel : + 33. 1. 60. 06. 69. 25 - Fax : + 33. 1. 60. 06. 69. 29

e-mail : export@kimo.fr

