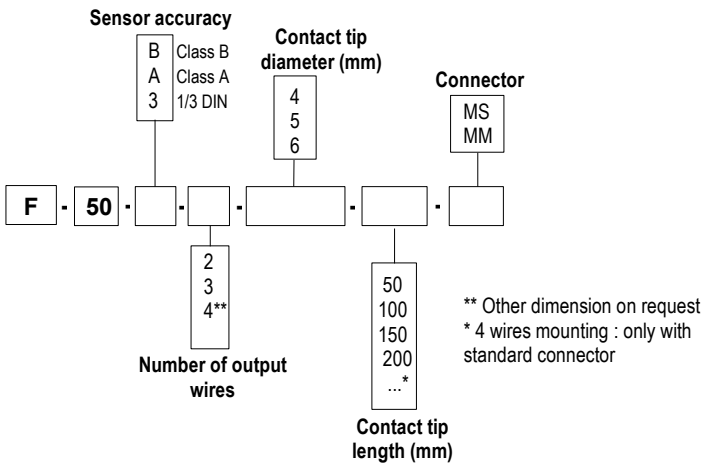


Temperature probe with resistive element and output on DIN connector

F 50 – FD 50

Part numbers

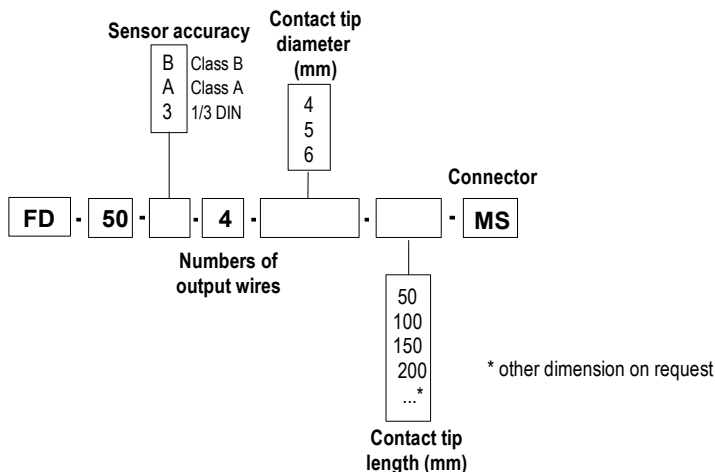
• F 50



Example : F50-B-2-4-50-MM

Model : Temperature probe Class B, 2 wires, contact tip diameter 4 mm and 50 mm length with connector type MM. **Measuring range** from -50 to +400 °C.

• FD 50



Example : FD50-B-4-4-50-MS

Model : Temperature probe Class B, 4 wires, contact tip diameter 4 mm and 50 mm length with connector type MS. **Measuring range** from -50 to +400 °C.

Probe features

- Temperature probe mounted on male connector
- Measuring range from -50°C to +400°C
- Rigid contact tip

Technical features

Operating temperature.....from -50°C to+400°C

Accuracy.....See "Tolerances" table

Sensor type.....PT100 or PT1000 : Class B, Class A, 1/3 DIN as per DIN IEC751

Storage temperature.....from -20°C to +80°C

Contact tip.....Stainless steel 316 L without welded, rigid

Mounting.....2, 3 or 4 wires for F 50
4 wires for FD 50



4 wires mounting only with standard connector

Connector.....miniature 2 and 3 flat pins in copper
standard 2, 3 and 4 flat pins in copper
temperature max : 200 °C

Tolerances* of Pt100 and Pt1000 probes

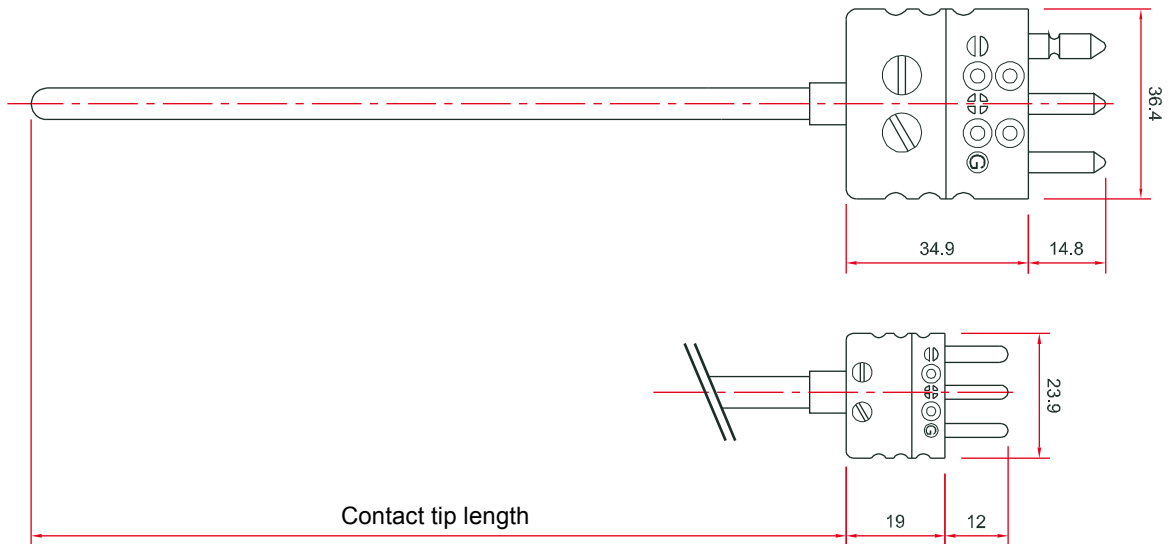
As per IEC 751 (1993), BS 1904 (1984) and DIN 43760 (1980) norms.

Temp °C	Tolerances					
	Class B		Class A		1/3 DIN	
	± °C	± Ohms	± °C	± Ohms	± °C	± Ohms
-100	0.8	0.32	0.35	0.14	0.27	0.11
-50	0.55	0.22	0.25	0.1	0.19	0.08
0	0.3	0.12	0.15	0.06	0.1	0.04
100	0.8	0.3	0.35	0.13	0.27	0.1
200	1.3	0.48	0.55	0.2	0.44	0.16
300	1.8	0.64	0.75	0.27	0.6	0.21
400	2.3	0.79	0.95	0.33	0.77	0.26

Resistance values for Pt1000 (Ω) must be multiplied by 10 for the same corresponding temperature value (°C). For example: at 0°C for Class B Pt1000 ± 0,3°C → ± 1,2 Ω

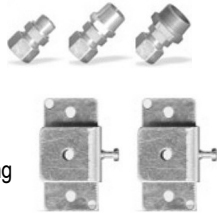
* Performed in laboratory conditions, the above accuracies mentioned in this document will be guaranteed, provided that you use the calibration compensation data or identical calibration conditions.

■ Dimensions



■ Accessories (See data sheet)

- Transmitter output 4-20 mA or 0/10V
- Wall mounting support
- Stainless steel mounting brackets
- 1/4, 1/2 gas screw nut
- Sliding connection
- Teflon or stainless. steel ferrule for compression fitting



- Sleeve to weld for food industry (with 1/2" G female)
- Stainless steel junction fitting
- 1/2 gas or NPT thread cuff
- Thermo-conducting silicone grease
- Calibration certificate
- Thermowell



www.kimo.fr

EXPORT DEPARTMENT

Tel : + 33. 1. 60. 06. 69. 25 - Fax : + 33. 1. 60. 06. 69. 29

e-mail : export@kimo.fr



Distributed by :