



# MP 115

## Atmospheric pressure

### KEY POINTS

- User-friendly
- Backlighted screen
- Indication of the pressure in mbar, mmHg ou hPa
- Adjustment of the atmospheric pressure based on the location (offset)
- Hold-min-max function

### TECHNICAL FEATURES

Measuring element	Piezoresistif sensor
Display	4 lines, LCD technology. Size : 50 x 34.9 mm. 2 lines of 5 digits of 7 segments (value) 2 lines of 5 digits of 16 segments (unity)
Connectors	Barbed connectors, Ø 6.2 mm made of nickelled brass
Housing	Shock-proof made of ABS, IP54 protection
Keypad	Metal-coated with 5 keys
Conformity	Electromagnetical compatibility (NF EN 61326-1 guideline)
Alimentation	1 alcaline battery 9V 6LR61
Environment	Neutral gas
Operating temperature	From 0 to +50 °C
Storage temperature	From -20 to +80 °C
Auto shut-off	Adjustable from 0 to 120 mn
Weight	190 g
Languages	French, English

### SPECIFICATIONS

Measuring unit	Measuring range	Acuracy <sup>1</sup>	Resolutions	Response time
Pressure				
mbar, mmHg, hPa	From 700 to 1100 mbar	± 2 mbar	0.1 mbar 0.1 mmHg 0.1 hPa	< 10 sec.



### FUNCTIONS

- Choice of pressure units (mbar, mmHg or hPa)
- Adjustment of the atmospheric pressure based on the location
- Hold function
- Display of minimum and maximum values
- Adjustable auto shut-off

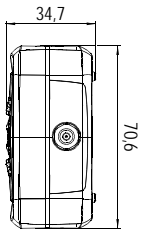


<sup>1</sup>All accuracies indicated in this document were stated in laboratory conditions and can be guaranteed for measurements carried out in the same conditions, or carried out with required compensation.

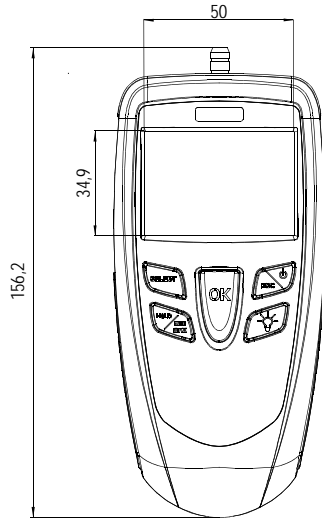
<sup>1</sup>except class 100S

## DIMENSIONS in mm

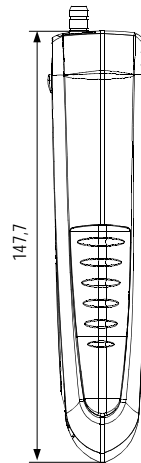
• Top view



• Front view



• Side view



## WARRANTY PERIOD

Instruments have 1-year guarantee for any manufacturing defect (return to our After-Sales Service required for appraisal).

## SUPPLIED WITH

- Supplied with    ○ Optional

DESCRIPTION	MP 115	MP 115 S
Pressure sensor from 700 to 1100 mbar	●	●
Calibration certificate	●	○
Adjusting certificate		●
Transport case	●	○

## ACCESSORIES

### CE 100

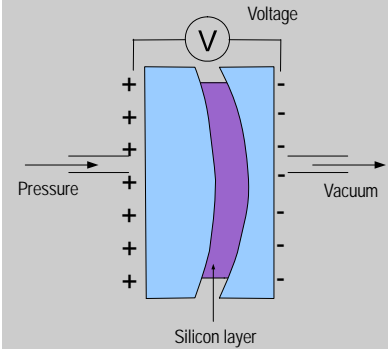
Protective cover with magnet and holding system



## OPERATING PRINCIPLE

### Piezoresistif sensor

Piezoresistif sensor is a diaphragm formed on a silicon substrate, which bends with applied pressure and generates millivoltage or millicurrent proportional to the pressure applied.



### Protective cover with magnet and holding system :

An adjustable offset from -50 to +50 mbar allows to adjust the device according altitude of the measuring location.

[www.kimo.fr](http://www.kimo.fr)

Distributed by :



EXPORT DEPARTMENT

Tel : + 33. 1. 60. 06. 69. 25 - Fax : + 33. 1. 60. 06. 69. 29

e-mail : [export@kimo.fr](mailto:export@kimo.fr)