



## SPR350 / SPR500

### Highly accurate temperature probe

#### TECHNICAL FEATURES

<b>Sensitive element</b>	Pt100 1/10 Din
<b>Working temperature</b>	From -190 °C to +500 °C
<b>Accuracy (linearity, hysteresis, drift over one year)</b>	From -70 to +250 °C : $\pm(0.1+0.0017  t )$ °C From -190 to -70 °C and from +250 to +500 °C : $\pm(0.15+0.002  t )$ °C
<b>Nominal resistance</b>	100 $\Omega$ at 0 °C as per IEC 60 751 standard
<b>Measurement current</b>	Recommended 1 mA
<b>Temperature coefficient</b>	0.385 $\Omega/^\circ\text{C}$ (between 0 and 100 °C)
<b>Response time at 63%</b>	12 sec.
<b>Self-heating coefficient "E"</b>	0.05 K/mW in the air ( $V_{\text{air}} = 2$ m/s) 0.01 k/mV in water ( $V_{\text{water}} = 0.2$ m/s)
<b>Self-heating</b>	$\Delta t = I^2 \times R \times E$
<b>Contact tip</b>	04,5 mm, length : 350 mm (SPR350) or 500 mm (SPR500) in 316 L stainless steel whitout weld
<b>Handle</b>	Black ABS Temperature : from -40 to +85 °C
<b>Cable</b>	Pfa sheathed Shielded braid 4 conductors in silver copper, of 0.22 mm <sup>2</sup> section Max. temperature : 250 °C Length : 2 m
<b>Cofrac calibration</b>	3 points : -40 °C, 0 °C and 200 °C, others points on request
<b>Recommended immersion length</b>	130 mm

#### OPTIONAL

- Custom connector mounting on request

#### SUPPLIED WITH



Supplied with transport case

[www.kimo.fr](http://www.kimo.fr)

Distributed by :

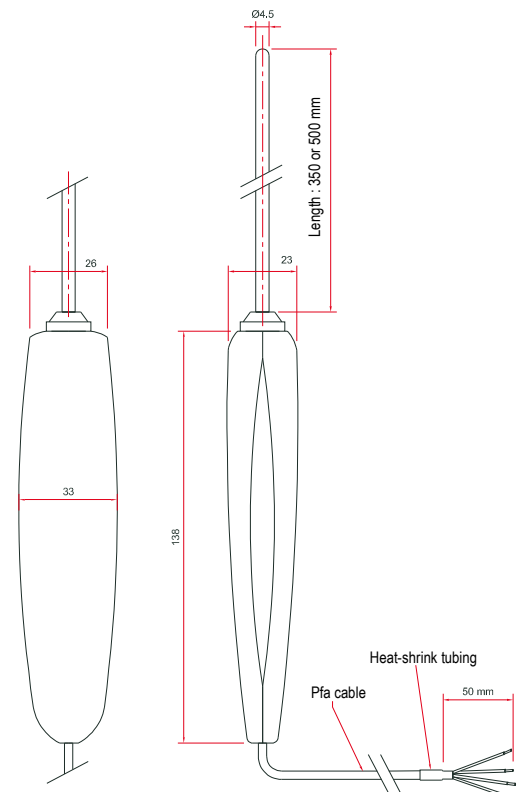


EXPORT DEPARTMENT

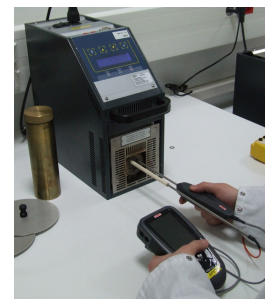
Tel : + 33. 1. 60. 06. 69. 25 - Fax : + 33. 1. 60. 06. 69. 29

e-mail : [export@kimo.fr](mailto:export@kimo.fr)

#### DIMENSIONS



#### APPLICATION



SPR350 probe on calibration oven



SPR350 probe on climatic chamber