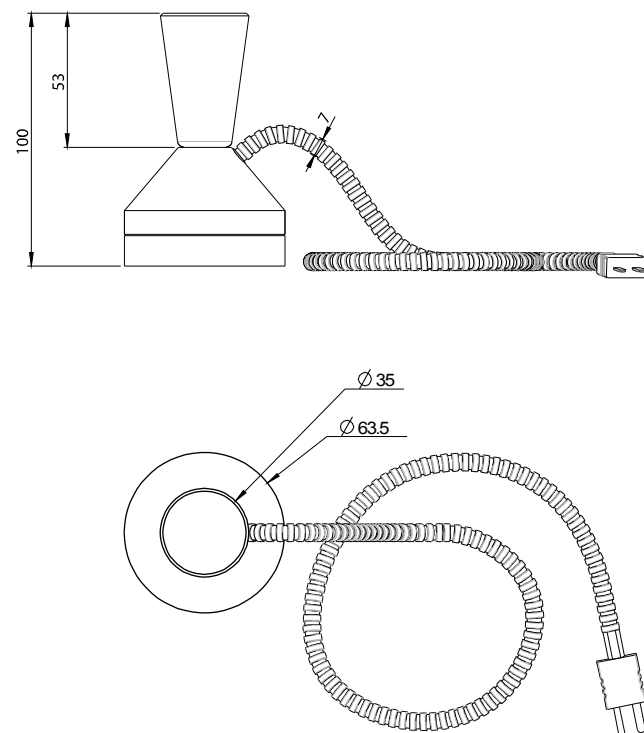




***K thermocouple probe  
for measurement on griddles***

**SKPC**

**DIMENSIONS**



**TECHNICAL FEATURES**

<b>Thermocouple type</b>	K thermocouple Class 1
<b>Operating temperature</b>	From -50 °C to +250 °C
<b>Accuracy</b>	±1,5 °C
<b>Response time <math>t_{63}</math></b>	13 seconds
<b>Storage temperature</b>	From -20 °C to +80 °C
<b>Dimensions</b>	Ø 63.5 mm height : 100 mm
<b>Surface</b>	Pfa Perfluoralkoxy
<b>Cable</b>	0,80 m length under flexible sheath Max diameter : 7 mm Max temperature : 200 °C
<b>Connectics</b>	Male miniature connector

**APPLICATIONS**



**OPTIONAL**

- > 1.5 m, 3 m and 5 m extensions
- > Calibration certificate