



# Manometer for gas network sealing

**MP 130**

**Nouveau**  
**CE**



## Functions

- Pressure
- Selection of units
- Self-calibration
- Display of minimum and maximum value
- HOLD function
- Adjustable automatic shut-off
- Adjustable backlight

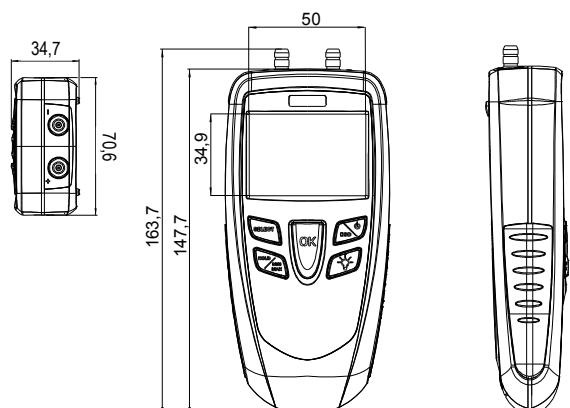
## Technical features

Measuring element.....	piezoresistif sensor
Overpressure allowed.....	700 mbar
Pressure connector.....	Ø 4,6 mm threaded connectors made of nickelled brass
Display.....	4 lines, LCD technology. Size 50 x 34,9 mm. 2 lines of 5 digits with 7 segments (value) 2 lines of 5 digits with 16 segments (unit)
Housing.....	Shock-proof made of ABS IP54 protection
Keypad.....	Metal coated with 5 keys
Conformity.....	Electromagnetical compatibility (NF EN 61326-1 guideline)
Power supply.....	1 alkaline battery 9V 6LR6
Operating temperature.....	from 0 to 50°C
Storage temperature.....	from -20 to 80°C
Auto shut-of.....	adjustable from 0 to 120 min
Weight.....	190 g
Languages.....	French, English



## Dimensions (mm)

- Top view
- Front view
- Side view



## Specifications

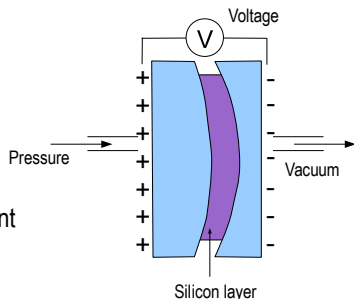
	Measurement units	Measuring range	Accuracy*	Resolutions
<b>PRESSURE</b>				
MP 130	kPa, inWg, mbar, mmHg, daPa	from 0 to $\pm 130$ mbar	From 0 to 20 mbar : $\pm 0,4\%$ of full scale $\pm 0,01$ mbar From 20 to 130 mbar : $\pm 0,3\%$ of full scale $\pm 0,1$ mbar	From 0 to 20 mbar : 0,01 mbar From 20 to 130 mbar : 0,1 mbar

\*All accuracies indicated in this document were stated in laboratory conditions and can be guaranteed for measurements carried out in the same conditions, or carried out with required compensation.

## Working principle

### Piezoresistif sensor

Piezoresistif sensor is a diaphragm formed on a silicon substrate, which bends with applied pressure and generate millivoltage or millicurrent proportional to the pressure applied.



## Supplied with ...

● Included ○ Optional

DESCRIPTION	MP 130 S
Pressure sensor from 0 to $\pm 130$ mbar	●
Sealing kit	●
Fitting certificate	●
Transport case	●
Calibration certificate	○



## Sealing kit includes :

Connectors		Plugs	
	Stainless steel male connector, 9 mm diameter		Plug : outside diameter : 22-44 mm 9 mm male connector
	Stainless steel female connector, 9 mm diameter		Plug : outside diameter : 18-32 mm 9 mm male connector
Tap with 2 valves and 3 channels	Pressurization pump		
	Rubber pump		

## Accessories

CE 100	J.T.C or J.Y.C	See related datasheet
Protective cover with magnet and holding system	Straight connections, in T or Y for tube $\varnothing 5 \times 8$ mm	Pitot tube available in many lengths $\varnothing 3/6$ or 8 mm, with or without temperature compensation

## Warranty period

Instruments have one year guarantee for any manufacturing defect (return to our After-Sales Service required for appraisal).

[www.kimo.fr](http://www.kimo.fr)

Distributed by :



EXPORT DEPARTMENT

Tel : + 33. 1. 60. 06. 69. 25 - Fax : + 33. 1. 60. 06. 69. 29

e-mail : [export@kimo.fr](mailto:export@kimo.fr)